



## Hazardous Area PC / Terminal

**Technor**

# ISIS 900



- SCADA systems
- Plant operator interface
- Diagnostics
- Alarms
- Network compatible
- Data logging
- C.C.T.V. / Custom enclosures available

## Features

**Full PC capability in hazardous area**

**Available also as a PC terminal  
(remote display/keypad)**

**ATEX certified EEx de (ib) T6**

**18.1" TFT high brightness colour  
display**

**SXVGA Resolution (1280x1024)**

**Powerful Intel processor**

**Rugged IP66 rated enclosure**

**Compact housing from high grade  
materials**

**Ethernet interface**

**External EExi QWERTY keyboard  
and mouse available**

**Standard PC applications**

**CAT 5 cable or fibre optic options**

**Long distance communications**

### Technor ISIS 900

The Technor ISIS 900 is the top of the range development from Technor ISIS. Using their materials technology; electronics expertise and vast experience in hazardous area equipment development, the Technor ISIS 900 unit builds on the progress made with the smaller 700 and 800 units.

The 18.1" display, with high brightness and 1280 x 1024 resolution produces a hazardous area display of unparalleled clarity.

The Technor ISIS 900 is especially suitable for applications where a large, bright, clear display is a necessity. The display when coupled to the powerful P.C capability gives almost unlimited application possibilities. Should the need be just for the display, the unit is also available as a P.C. terminal.

Manufactured from the highest grade materials has allowed this impressive unit to be housed in a surprisingly compact unit.


The Technor ISIS 900 is available as a self contained unit using the integral keyboard, or with a full, separate EExi QWERTY keyboard and mouse.



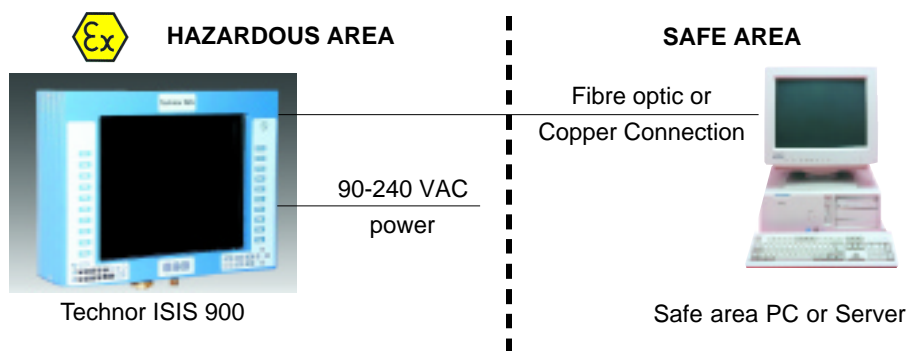
# ISIS 900 Technical Specifications

Display Size:	18.1 inch; 1280 x 1024 pixels
Display Type:	T.F.T high brightness; 256k colours
Processor:	To customer specification
Hard Disk:	10 Gigabyte minimum / Flash disc option
Memory:	To customer specification (128 Megabyte minimum)
Overall Dimensions:	520mm x 389mm x 165mm
Weight:	36 Kgs (78lbs)
Operating Temperature:	-20 degrees C to + 50 degrees C
Storage Temperature:	-30 degrees C to + 60 degrees C
Connections:	3 x M20 & 3 x M25 tapped hole for EEx glands; separate EE x e junction box version available
Supply Voltage:	85-250 V a.c or 24 V D.C
I.P. Rating:	IP66
Power Consumption:	50 Watts approximately
Interface Options:	Ethernet 10/100 PC104 4 Serial channels EPP/ECP parallel port SCSI Fast IDE Profibus
Communications:	Ethernet / RS232 For PC Cat 5 terminal 300m max. For PC terminal fibre optic version 1Km max.

## CENELEC Approval for ISIS 900

 II 2 G, EEx de [ib] IIB T6, EEx d [ib] IIB T6, EEx de IIB T6, EEx d IIB T6

Specifications and designs may change without notice. All trade names are acknowledged by their rightful owners



For more details or a demonstration, please contact:  
 Technor ISIS Ltd The Cottage, Martinholme Farm,  
 Thixendale Malton, North Yorkshire YO17 9LP  
 email: [sales@technor-isis.com](mailto:sales@technor-isis.com) <http://www.technor-isis.com>  
**Tel: +44 (0)1759 368816 Fax: +44 (0)1759 368514**  
**UK Sales - Tel: +44 (0)1653 628179 Fax: +44 (0)1653 628045**